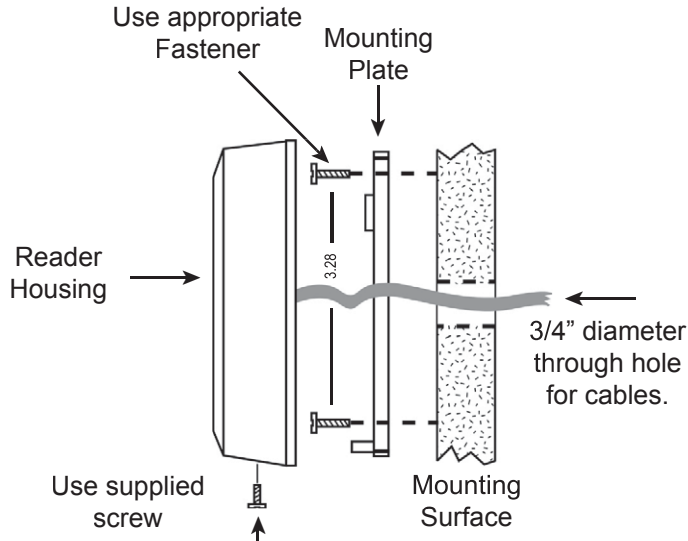


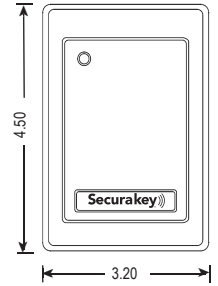
# e\*Tag® Installation Instructions

## SWITCHPLATE INSTALLATION DIAGRAM

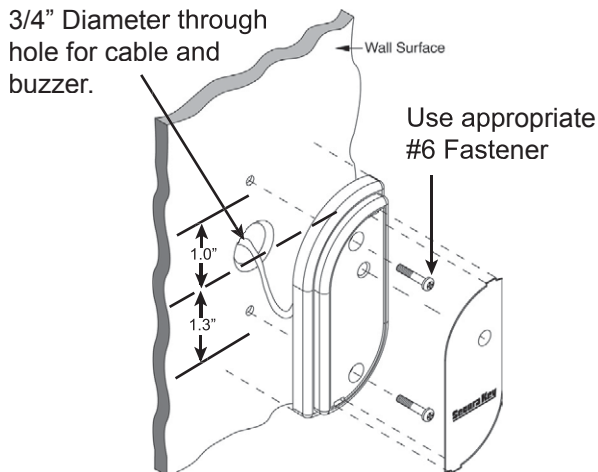


## INSTALLATION STEPS FOR SWITCHPLATE:

1. Drill holes as needed per installation diagram shown to the left.
2. Feed cable through 3/4" hole.
3. Attach the mounting plate to the mounting surface with the appropriate fasteners.
4. Attach the housing to the mounting plate by inserting the two tabs inside the top of the housing into the two slots at the top of the mounting plate.
5. Secure by installing supplied screws into the hole at the bottom of the reader.
6. Connect cable per wiring diagram shown below.

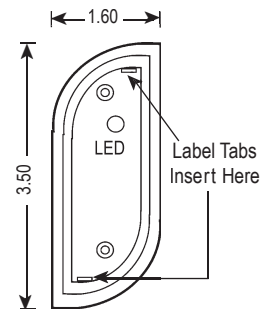


## MULLION INSTALLATION DIAGRAM



## INSTALLATION STEPS FOR MULLION HOUSING:

1. Drill holes as needed per installation diagram shown to the left.
2. Feed cable through 3/4" hole.
3. Attach reader to any flat surface with two #6 screws.
4. Snap label insert into front of reader to cover screws.



## SPECIFICATIONS:

### POWER REQUIREMENTS

5-14 VDC @ 50-90mA max.

### INPUTS & OUTPUTS

LED	Tri-color (Blue/Red/Green)
BUZZER	Ground to activate
Wiegand Output Sink Current	100mA
Wiegand Output Source Current	5mA
Max. Signal Distance	- TTL 10 ft.
	- RS-232 100 ft.
	- Wiegand 500 ft.
	- RS-485 4000 ft.

### ENVIRONMENT

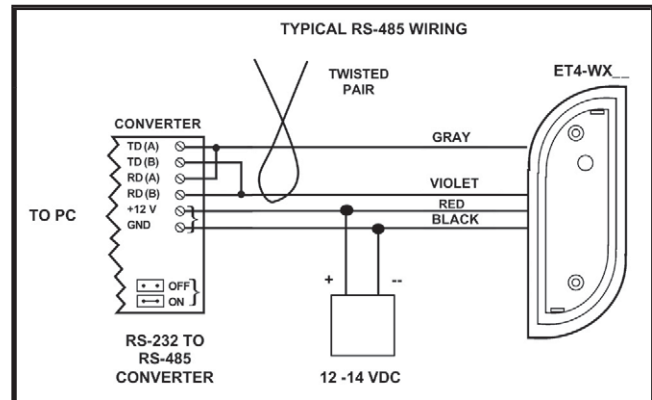
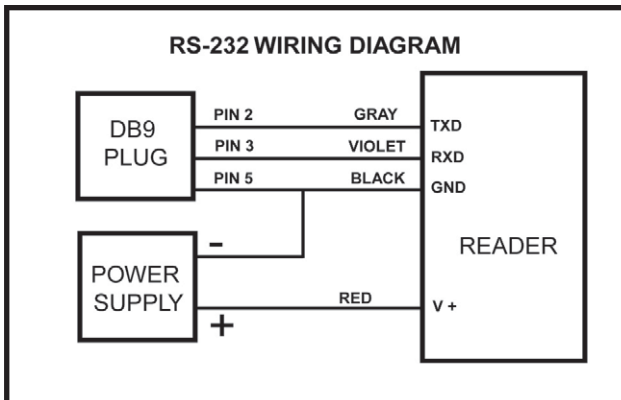
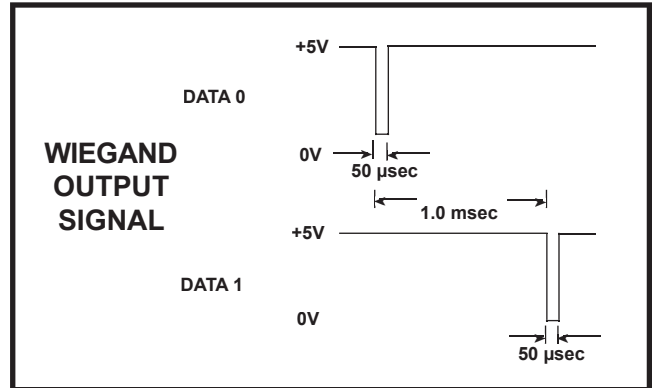
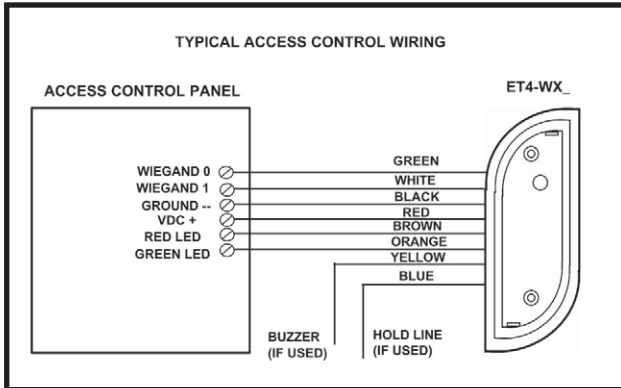
Ambient Temperature	-40° to 70°C (-40°to +158°F)
Humidity- Potted Units	0 to 100% non-condensing
- Unpotted Units	0 to 90% non-condensing

### COMMUNICATIONS

Wiegand Industry standard protocol  
 RS-232, RS-485 & TTL Obtain protocol from:  
[www.securakey.com/docs/rfid\\_tech.html](http://www.securakey.com/docs/rfid_tech.html)

# e\*Tag® Wiring Instructions

READER CONNECTIONS					
Wire #	Wire Color	RS-485 Models	RS-232 Models	TTL Models	NOTES
1	BLACK	GROUND (-)	GROUND (-)	GROUND (-)	
2	RED	9-14 VDC (+)	9-14 VDC (+)	9-14 VDC (+)	
3	BLUE	HOLD LINE	HOLD LINE	HOLD LINE	Connect to Ground to Activate
4	YELLOW	BUZZER	BUZZER	BUZZER	Connect to Ground to Activate
5	BROWN	RED LED	RED LED	RED LED	Connect to Ground to Activate
6	ORANGE	GREEN LED	GREEN LED	GREEN LED	Connect to Ground to Activate
7	GRAY	RS-485 - A	TXD	TXD	
8	VIOLET	RS-485 - B	RXD	RXD	
9	WHITE	WIEGAND DATA 1	WEIGAND DATA 1	WIEGAND DATA 1	Open Collector Output
10	GREEN	WIEGAND DATA 0	WIEGAND DATA 0	WIEGAND DATA 0	Open Collector Output



## INSTRUCTION TO THE USER FCC ID: NNHETXXX

This equipment has been tested and found to comply with the limits for a class B digital device, pursuant to part 15 of the FCC Rules. These limits are designed to provide reasonable protection against harmful interference in a residential installation. This equipment generates, uses and can radiate radio frequency energy and if not installed and used in accordance with the instructions, may cause harmful interference to radio communications. However, there is no guarantee that interference will not occur in a particular installation. If this equipment does cause harmful interference to radio or television reception, which can be determined by turning the equipment off and on, the user is encouraged to try to correct the interference by one or more of the following measures:

- Reorient or relocate the receiving antenna.
- Increase the separation between the equipment and receiver.
- Connect the equipment into an outlet of a circuit different from that to which the receiver is connected.
- Consult the dealer or an experienced radio/TV technician for help.

This equipment has been certified to comply with the limits for a class B computing device, pursuant to FCC Rules. In order to maintain compliance with FCC regulations, shielded cables must be used with this equipment. Operation with non-approved equipment or unshielded cables is likely to result in interference to radio and TV reception. The user is cautioned that changes and modifications made to the equipment without the approval of the manufacturer could void the user's authority to operate this equipment.

# Securakey

20301 Nordhoff Street, Chatsworth, CA 91311  
PHONE (818) 882-0020 • FAX (818) 882-7052  
TOLL-FREE (800) 891-0020

Website: [www.securakey.com](http://www.securakey.com) • E-mail: [mail@securakey.com](mailto:mail@securakey.com)



IP64

3321773 6355